

MODELS: UMHDDN1100/50/1
 UAHDDN1100/50/1
 UMHDDN1100/50/3
 UAHDDN1100/50/3



SPECIFICATIONS	
Power	1.1kW / 1.5HP
Frequency	50Hz
Discharge	50mm / 2 inch female BSP
Weight (Excl cable)	28Kg (24Kg – UMHDDN1100/50/3)
Phase	1ø 3ø
Voltage	240 415
Full Load Amps	8.0 2.7
Maximum Liquid Temperature	0-40° C
Maximum Submersion Depth	30m (100 feet)
Motor type	Dry motor
Motor Speed	2 Pole (2800 rpm)
Motor Insulation	Class B
Motor Protection	IP68
Protector	Auto cut
Motor Bearings	Ball Type
Seal Method	Dual Mechanical seal Upper: Carbon/Ceramic Lower: Silicon/Silicon
Impeller Type	Semi-open
Motor Cover Construction	FC-200 Cast Iron
Motor Casing Construction	304 Stainless Steel
Motor Shaft Construction	403 Stainless Steel
Pump Casing Construction	FC-200 Cast Iron
Outer Pump Jacket Construction	304 Stainless Steel
Impeller Construction	Hi-Chromium
Strainer Construction	304 Stainless Steel
Cable Material	H07RN-F

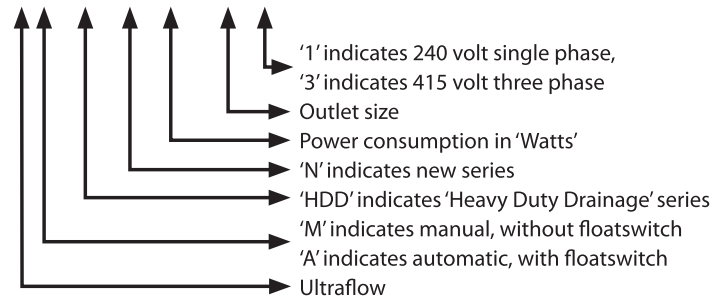


MANUAL

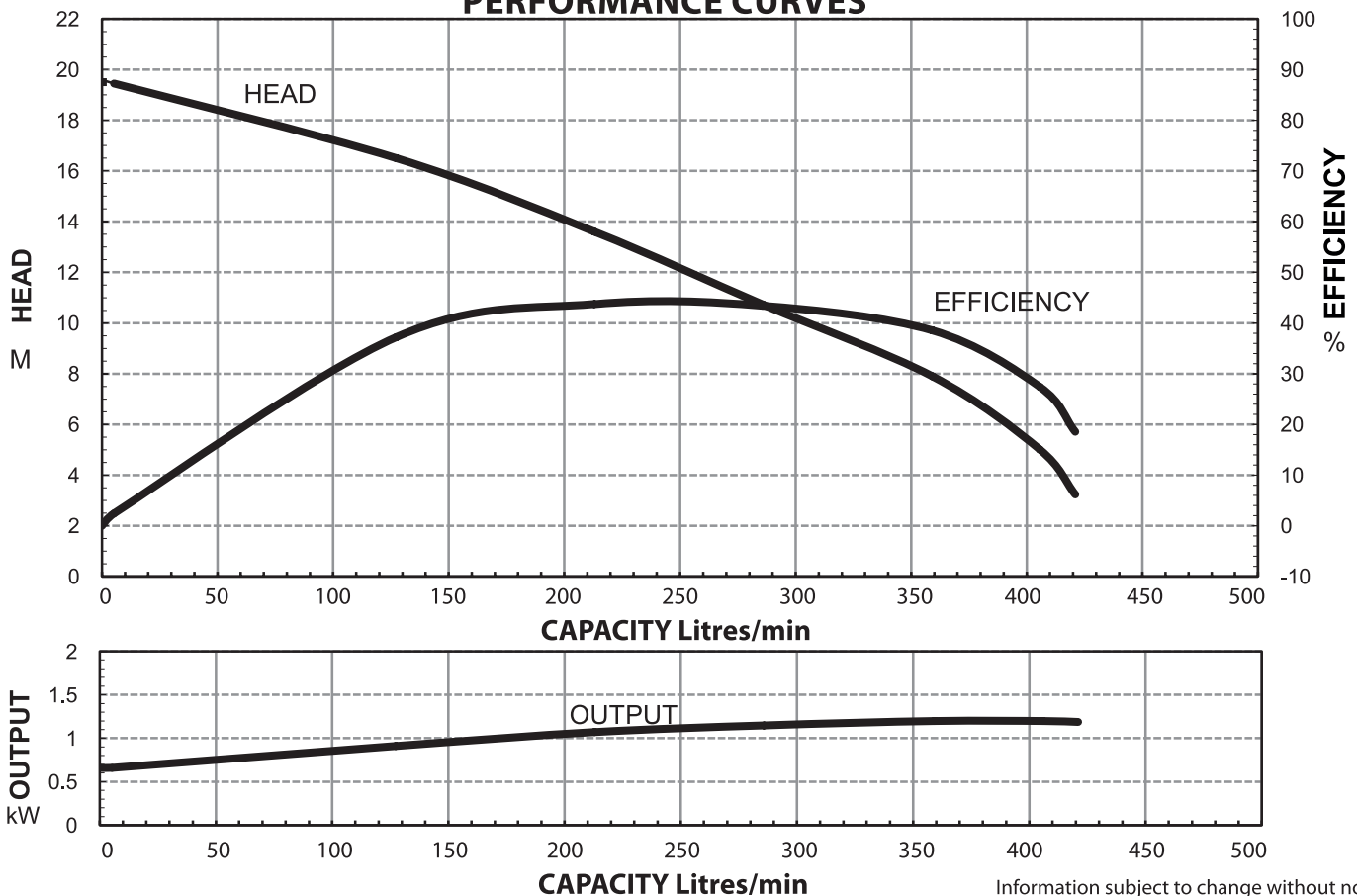
AUTOMATIC

MODEL NUMBER STRUCTURE

UMHDDN1100/50/1



PERFORMANCE CURVES



Information subject to change without notice.

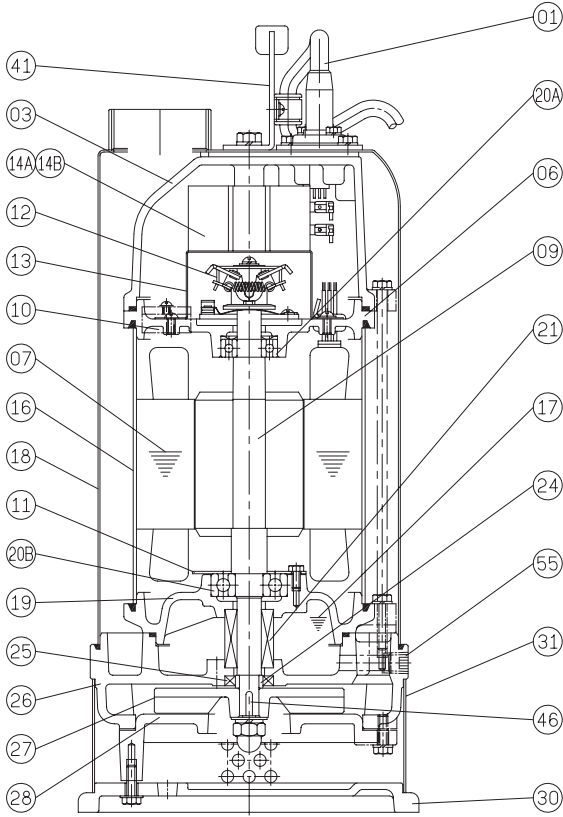


97 Gascoigne Street, Kingswood 2747 New South Wales, Australia
 Phone: 02 4731 3940 Fax: 02 4731 3366
 Email: sales@ultraflowaustralia.com.au Web: www.ultraflowaustralia.com.au

MODELS: UMHDDN1100/50/1
 UAHDDN1100/50/1
 UMHDDN1100/50/3
 UAHDDN1100/50/3



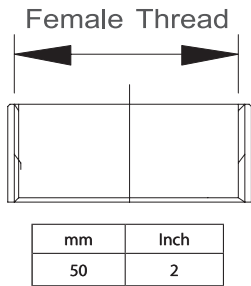
SECTIONAL DRAWING & MATERIALS LIST



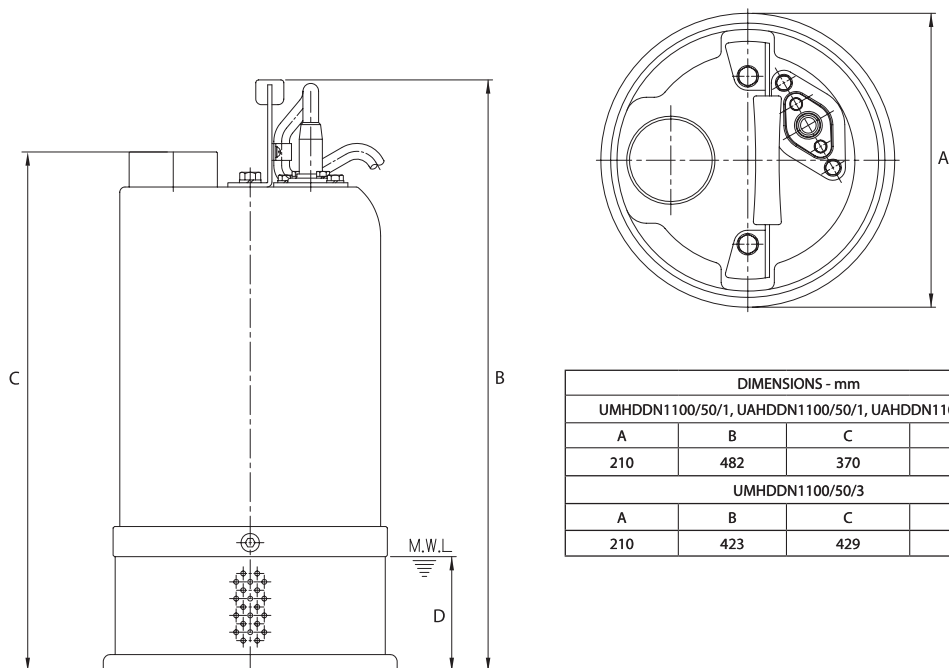
Part Number	Description	Material	Notes
01	Cable	HO7RN-F	
03	Upper Motor Cap	Cast Iron FC-200	Motor cap and bearing housing are one part on UMHDDN1100/50/3
06	Upper Bearing Housing	Cast Iron FC-200	
07	Motor Stator		
09	Shaft With (With Rotor)	(Shaft) Stainless Steel 403	
10	Auto Cut Out Overload		
11	Bearing Fixer		
12	Centrifugal Switch		N/A on 3 phase models Transformer relay for UAHDDN1100/50/3
13	Centrifugal Switch Cover		
14A	Capacitor		
14B	Start Capacitor		
16	Motor Casing	304 Stainless Steel	
17	Lubricant	Turbine Oil	
18	Outer Cover	304 Stainless Steel	
19	Lower Bearing Housing	Cast Iron FC-200	
20A	Upper Bearing		
20B	Lower Bearing		
21	Mechanical Seal	Upper: Carbon/Ceramic Lower: Silicon/Silicon	
24	Oil Seal Bush	304 Stainless Steel	
25	Oil Seal	Nitrile	
26	Pump Casing	Cast Iron FC-200	
27	Impeller	High Chromium HICr	
28	Casing Cover	FCD450	
30	Pump Base	Cast Iron FC-200	
31	Strainer	304 Stainless Steel	
41	Handle	304 Stainless Steel	
46	Impeller Key	304 Stainless Steel	
47	O'rings		
55	Oil Plug	304 Stainless Steel	
FL	Floatswitch		

To order spare parts as above, it will be necessary to add the model number of the pump after the code listed above. For example, a power lead for a UAHDDN1100/50/1 would be written as '01-UAHDDN1100/50/1'.

OUTLET DIMENSIONS



DIMENSIONAL DRAWING



DIMENSIONS - mm			
UMHDDN1100/50/1, UAHDDN1100/50/1, UAHDDN1100/50/3			
A	B	C	D
210	482	370	85
UMHDDN1100/50/3			
A	B	C	D
210	423	429	85