

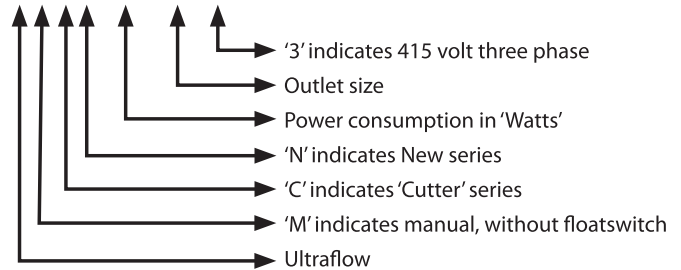
SPECIFICATIONS	
Power	3.7kW / 5HP
Frequency	50Hz
Discharge	80mm / 3 inch female BSP
Weight (Excl cable)	79Kg
Solid Passage	50 mm
Phase	3ø
Voltage	415
Full Load Ampere	8.4
Maximum Liquid Temperature	0-40° C
Maximum Submersion Depth	30m (100 feet)
Motor type	Dry motor
Motor Speed	4 Pole (1440 rpm)
Motor Insulation	Class F
Motor Protection	IP68
Protector	Auto cut
Motor Bearings	Ball Type
Seal Method	Dual Mechanical seal Upper: Carbon/Ceramic Lower: Silicon/Silicon
Impeller Type	Semi-open
Motor Cover Construction	FC-200 Cast Iron
Motor Casing Construction	FC-200 Cast Iron
Motor Shaft Construction	420 Stainless Steel
Pump Casing Construction	FC-200 Cast Iron
Impeller Construction	FC-200 Cast Iron with tungsten cutting tip
Cable Material	H07RN-F



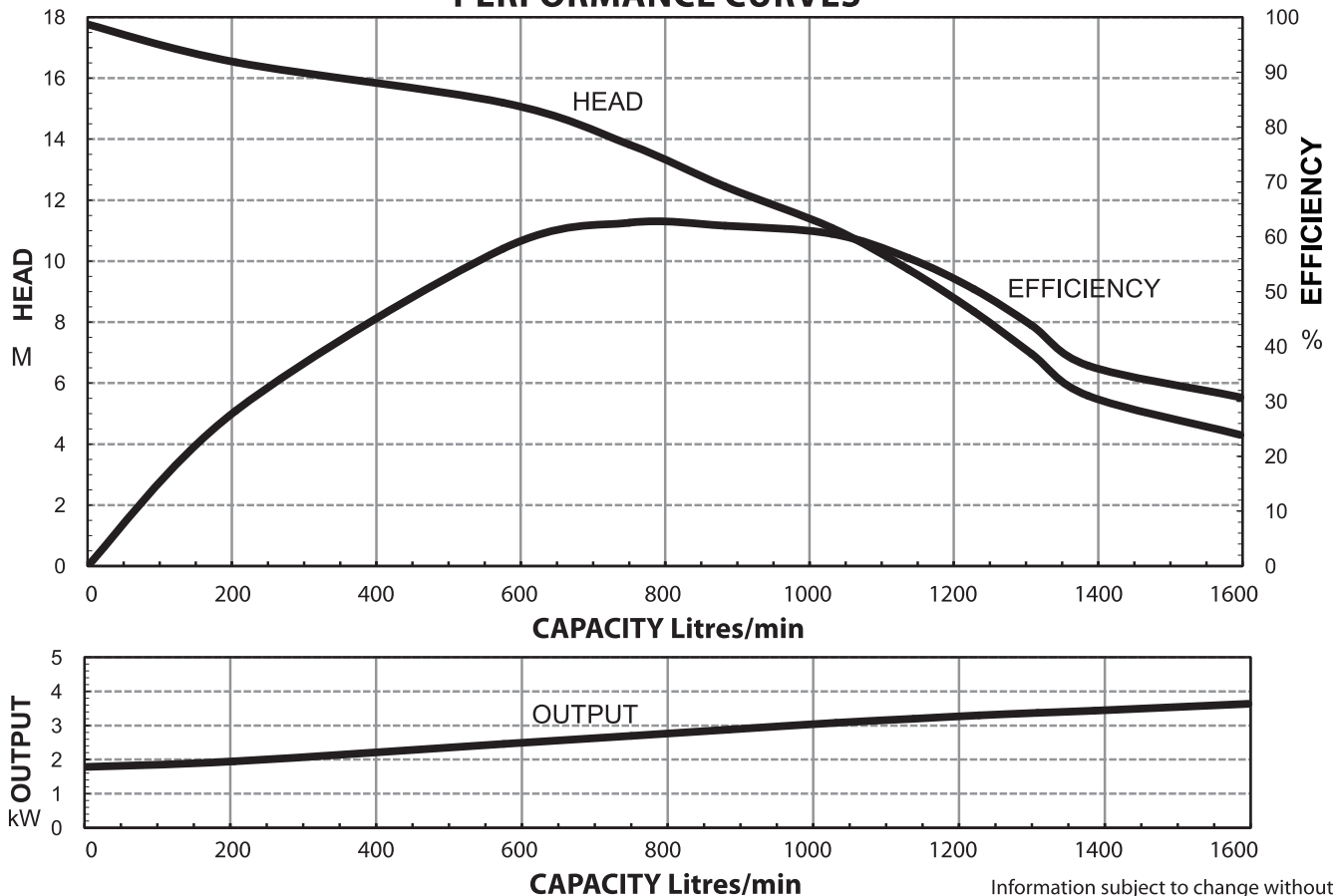
UMCN3700/80/3

### MODEL NUMBER STRUCTURE

UMCN3700/80/3

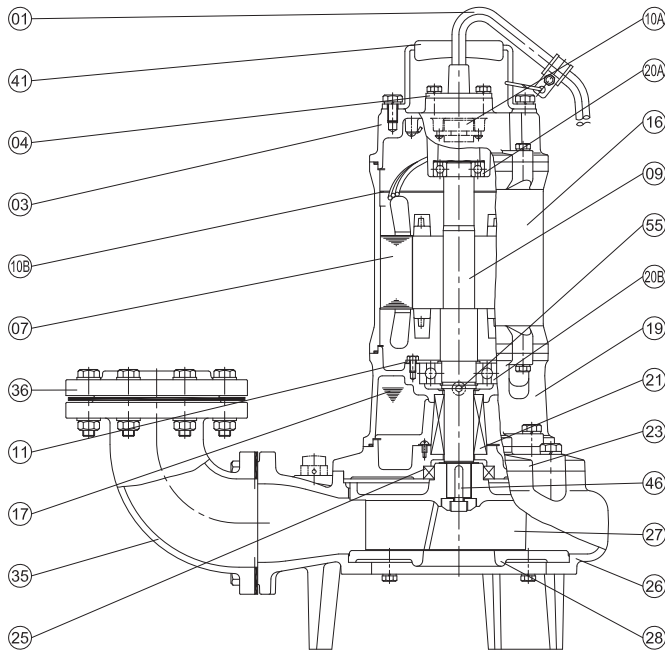


### PERFORMANCE CURVES



Information subject to change without notice.

## SECTIONAL DRAWING & MATERIALS LIST



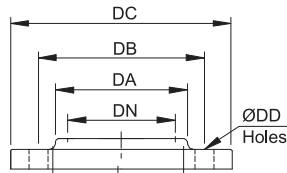
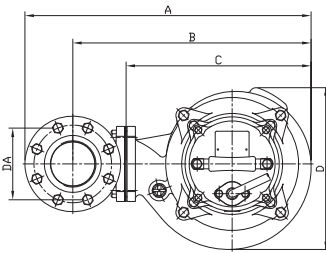
Part Number	Description	Material
01	Cable	HO7RN-F
03	Upper Bearing Housing /Motor Cap	Cast Iron FC-200
04	Cable Gland Base	
07	Motor Stator	
09	Shaft With (With Rotor)	(Shaft) Stainless Steel 420
10A	Auto Cut Out Overload	
10B	Auto Cut Out Plate	
11	Bearing fixer	
16	Motor Casing	Cast Iron FC-200
17	Lubricant	Turbine Oil
19	Lower Bearing Housing	Cast Iron FC-200
20A	Upper Bearing	
20B	Lower Bearing	
21	Mechanical Seal	Upper: Carbon/Ceramic Lower: Silicon/Silicon
23	Mechanical Seal Housing	Cast Iron FC-200
25	Oil Seal	Nitrile
26	Pump Casing	Cast Iron FC-200
27	Impeller	Cast Iron FC-200
28	Casing Cover	Cast Iron FC-200
35	Outlet Elbow	Cast Iron FC-200
36	Outlet Flange	Cast Iron FC-200
41	Handle	304 Stainless Steel
46	Impeller Key	304 Stainless Steel
47	O'rings	
55	Oil Plug	304 Stainless Steel

To order spare parts as above, it will be necessary to add the model number of the pump after the code listed above. For example, a power lead for a UMCN3700/80/3 would be written as '01-UMCN3700/80/3'.

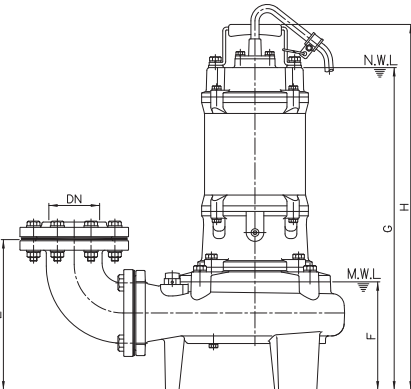
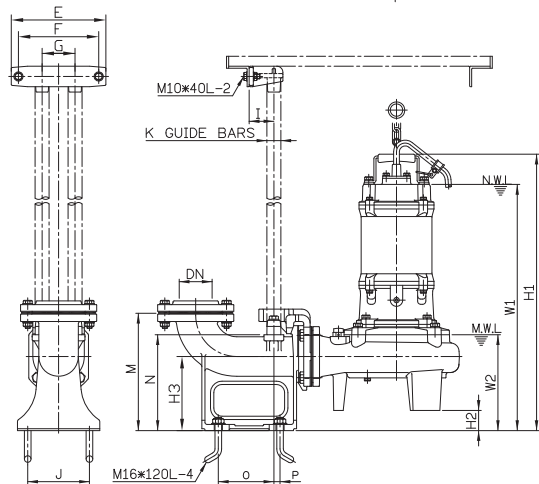
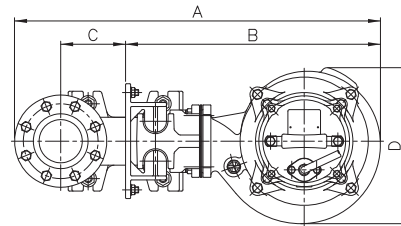
### DIMENSIONAL DRAWING

### ELBOW (FLANGE) SET EB3-150

### GUIDE RAIL SYSTEM DIMENSIONS USING GR80 GUIDE RAIL KIT



DIMENSIONS - mm					
DN	DA	DB	DC	DD	Holes
80	110	150	185	15	8



DIMENSIONS - mm									
UMCN3700/80/3									
DN	DA	A	B	C	D	E	F	G	H
80	150	553	461	437	313	256	184	570	643

DIMENSIONS - mm																			
UMCN3700/80/3																			
DN	A	B	C	D	E	F	G	I	J	K	M	N	O	P	W1	W2	H1	H2	H3
80	734	511	130	313	230	195	80	60	150	32	285	233	135	15	619	233	692	49	180