

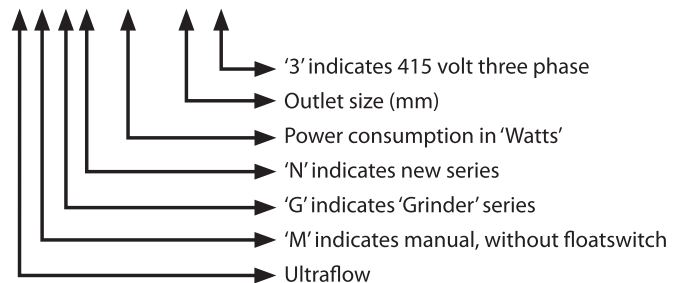
SPECIFICATIONS	
Power	3.7kW / 5.0HP
Frequency	50Hz
Discharge	50mm / 2 inch female BSP
Weight (Excl cable)	53Kg
Phase	3ø
Voltage	415
Full Load Ampere	7.7
Maximum Liquid Temperature	0-40° C
Maximum Submersion Depth	30m (100 feet)
Motor type	Dry motor
Motor Speed	2 Pole (2800 rpm)
Motor Insulation	Class B
Motor Protection	IP68
Protector	Auto cut
Motor Bearings	Ball Type
Seal Method	Dual Mechanical seal Upper: Carbon/Ceramic Lower: Silicon/Silicon
Impeller Type	Semi-open
Motor Cover Construction	FC-200 Cast Iron
Motor Casing Construction	FC-200 Cast Iron
Motor Shaft Construction	403 Stainless Steel
Pump Casing Construction	FC-200 Cast Iron
Impeller Construction	FC-200 Cast Iron
Grinder	Heat Treated 440 Stainless Steel
Grinder Ring	Heat Treated 440 Stainless Steel
Cable Material	H07RN-F



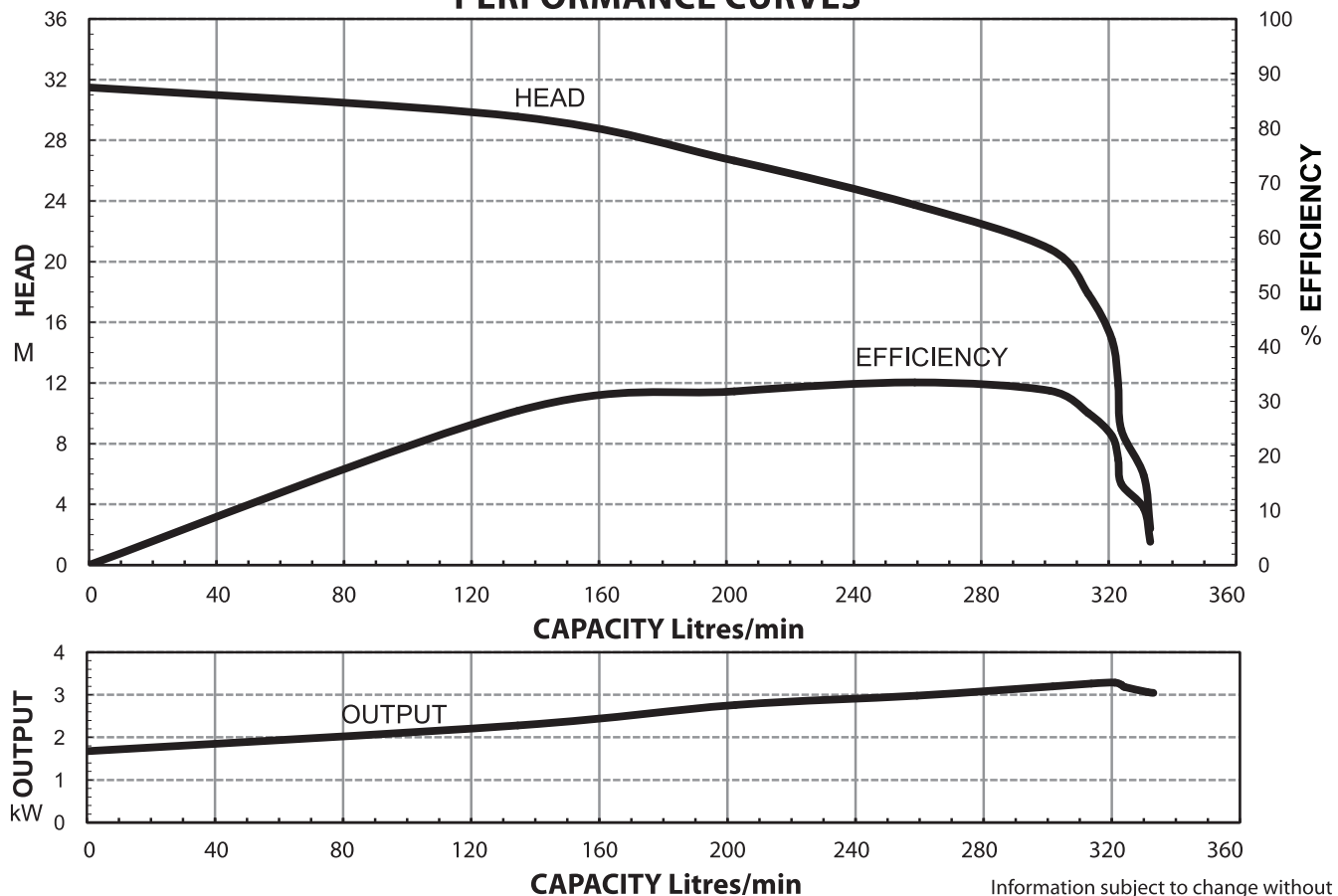
UMGN3700/50/3

### MODEL NUMBER STRUCTURE

UMGN3700/50/3

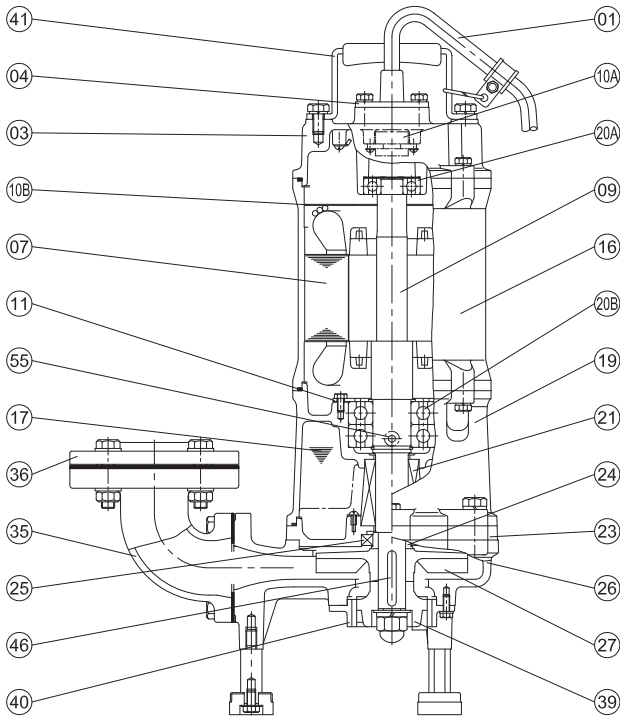


### PERFORMANCE CURVES



Information subject to change without notice.

## SECTIONAL DRAWING & MATERIALS LIST



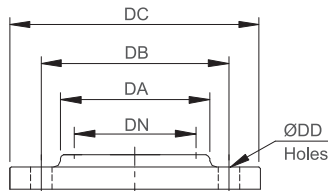
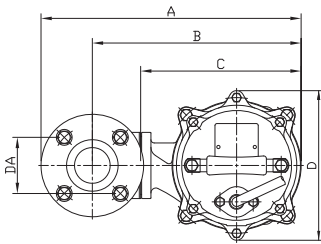
Part Number	Description	Material/Notes
01	Cable	HO7RN-F
03	Upper Motor Cap/ Bearing Housing	Cast Iron FC-200
04	Cable Gland Cover	
07	Motor Stator	
09	Shaft With (With Rotor)	(Shaft) Stainless Steel 403
10A	Auto Cut Out Overload	
10B	Auto Cut Out Overload Plate	
11	Bearing Fixer	
16	Motor Casing	Cast Iron FC-200
17	Lubricant	Turbine Oil
19	Lower Bearing Housing	Cast Iron FC-200
20A	Upper Bearing	
20B	Lower Bearing	
21	Mechanical Seal	Upper: Carbon/Ceramic Lower: Silicon/Silicon
23	Mechanical Seal Housing	Cast Iron FC-200
24	Oil Seal Bush	
25	Oil Seal	Nitrile
26	Pump Casing	Cast Iron FC-200
27	Impeller	Cast Iron FC-200
35	Outlet Elbow	Cast Iron FC-200
36	Outlet Flange	Cast Iron FC-200
39	Grinder	Heat Treated 440 Stainless Steel
40	Grinder ring	Heat Treated 440 Stainless Steel
41	Handle	304 Stainless Steel
46	Impeller Key	304 Stainless Steel
47	O'rings	
55	Oil Plug	304 Stainless Steel

To order spare parts as above, it will be necessary to add the model number of the pump after the code listed above. For example, a power lead for a UMGN3700/50/3 would be written as '01-UMGN3700/50/3'.

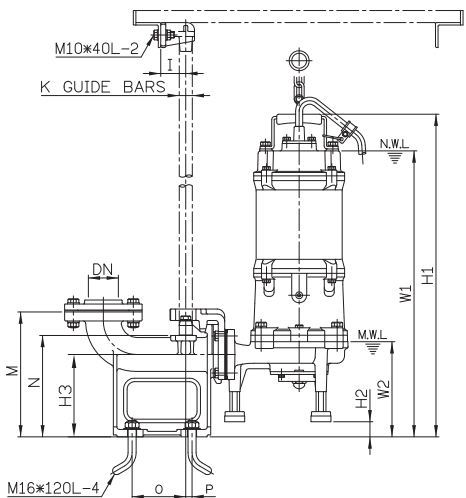
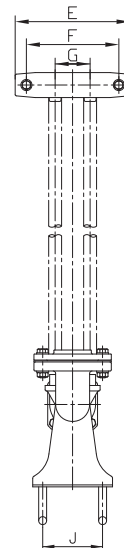
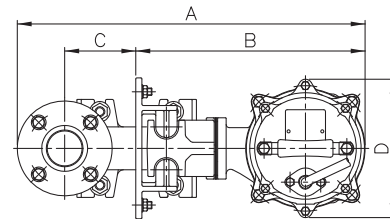
### DIMENSIONAL DRAWING

### ELBOW (FLANGE) SET

### GUIDE RAIL SYSTEM DIMENSIONS USING GR50G GUIDE RAIL KIT



DIMENSIONS - mm				
DN	DA	DB	DC	DD
50	78	120	155	15



DIMENSIONS - mm									
UMGN3700/50/3									
DN	DA	A	B	C	D	E	F	G	H
50	120	393	316	243	226	226	180	543	616

DIMENSIONS - mm																			
UMGN3700/50/3																			
DN	A	B	C	D	E	F	G	I	J	K	M	N	O	P	W1	W2	H1	H2	H3
50	569	375	116	226	230	185	70	50	120	25	250	203	108	13	575	193	648	33	165