

aeroflow™

Linear Air Pump



FEATURES

- ▶ LINEAR DOUBLE DIAPHRAGM TYPE
- ▶ SAFETY CUT-OUT SWITCH
- ▶ LONG LIFE
- ▶ OIL - LESS PUMPING SYSTEM
- ▶ LOW POWER CONSUMPTION
- ▶ LOW NOISE LEVELS
- ▶ LOW VIBRATION
- ▶ IP54 PROTECTION
- ▶ DOUBLE HEAD GIVES LOW PULSATION

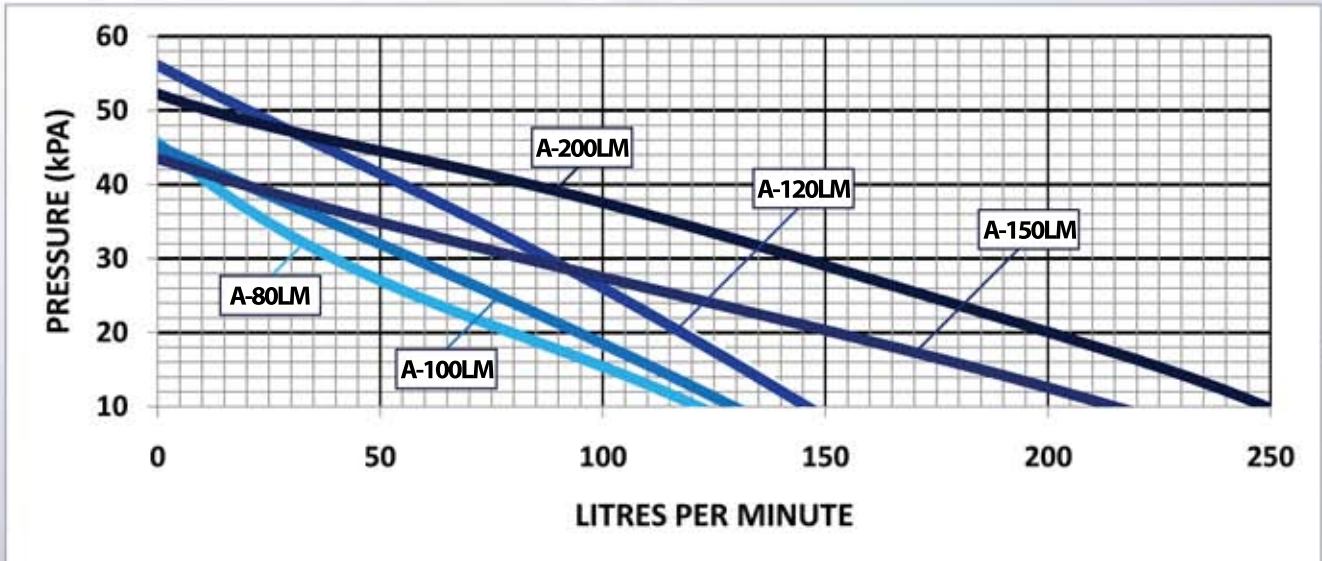
APPLICATIONS

- ▶ SEWAGE
- ▶ WASTEWATER
- ▶ TREATMENT SYSTEMS
- ▶ AQUACULTURE
- ▶ BIOLOGICAL PROCESSES
- ▶ LABORATORY ANALYSIS
- ▶ ODOUR CONTROL
- ▶ AIR POLLUTION CONTROL
- ▶ MEDICAL ANALYSIS

SPECIFICATIONS

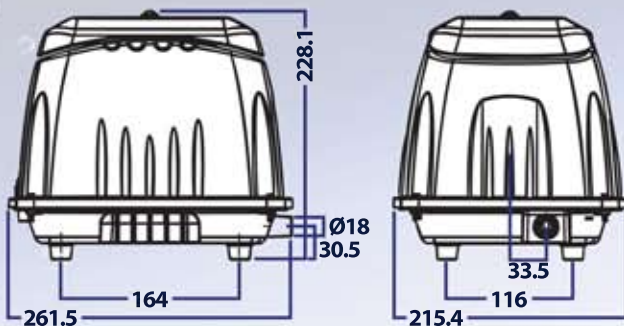
MODEL	A-80LM	A-100LM	A-120LM	A-150LM	A-200LM
DUTY	80 L/min @20kPA	100 L/min @18 kPA	120 L/min @20 kPA	150 L/min @20 kPA	200 L/min @20 kPA
MAX FLOW	150 L/min	160 L/min	175 L/min	255 L/min	275 L/min
MAX PRESSURE	42 kPA	45 kPA	56 kPA	43 kPA	52 kPA
VOLTAGE	240 volts	240 volts	240 volts	240 volts	240 volts
AMPS	0.52	0.7	0.94	1.2	1.75
WATTS	68	87	110	170	230
DECIBELS @ 1M	45	45	46	48	48
WEIGHT	8.8 Kg	8.8Kg	8.8 Kg	11.9 Kg	11.9 Kg

PERFORMANCE CURVES

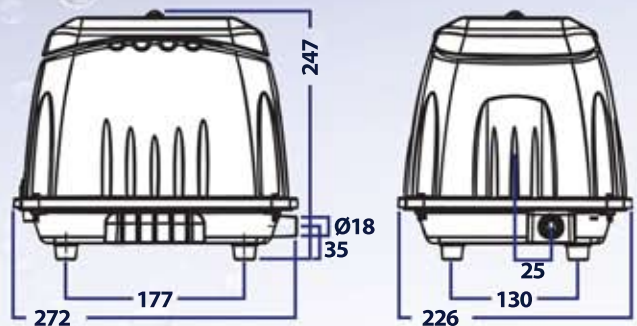


DIMENSIONS

Models: A-80LM, A-100LM & A-120LM



Models: A-150LM & A-200LM



FINE BUBBLE AIR DIFFUSERS



NATIONAL OFFICE

ADDRESS: 97 Gascoigne St. Kingswood NSW 2747
 POSTAL: PO Box 64, Kingswood NSW 2747
 PHONE: 1300 662 787
 FAX: 02 4731 3366
 EMAIL: admin@ultraflowaustralia.com.au

REGIONAL OFFICE

ADDRESS: 7 Lockyer St. Goulburn NSW 2580
 POSTAL: PO Box 97, Goulburn NSW 2580
 PHONE: 02 4821 2141
 FAX: 02 4821 8205
 EMAIL: sales@ultraflowaustralia.com.au